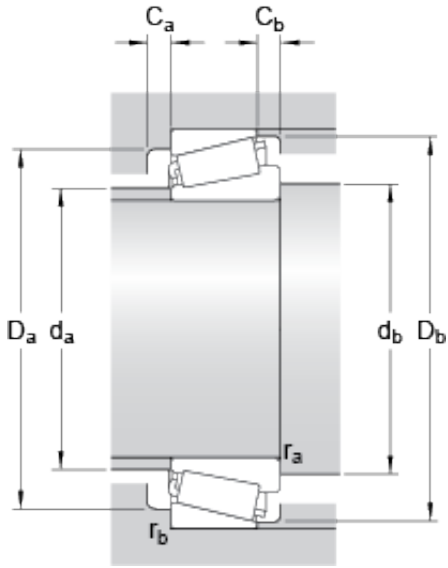




# Jinan Guotai Bearing Co., Ltd

## Auto Wheel Hub SKF Tapered Roller Bearing 30202 Bearing

Bearing No. 30202



30202 Bearing 2D drawings and 3D CAD models

Dimension series	2CC
d	15 mm
D	35 mm
T	11.75 mm
d <sub>1</sub>	25.6 mm
B	11 mm
C	9.25 mm
r <sub>1,2</sub> min.	0.6 mm
r <sub>3,4</sub> min.	0.6 mm
a	8.308 mm
d <sub>a</sub> max.	20 mm
d <sub>b</sub> min.	20.5 mm
D <sub>a</sub> min.	30 mm
D <sub>a</sub> max.	30.5 mm
D <sub>b</sub> min.	32 mm
C <sub>a</sub> min.	2 mm
C <sub>b</sub> min.	2.5 mm
r <sub>a</sub> max.	0.6 mm
r <sub>b</sub> max.	0.6 mm
Basic dynamic load rating C	18.5 kN
Basic static load rating C <sub>0</sub>	14.6 kN
Fatigue load limit P <sub>u</sub>	1.43 kN
Reference speed	17000 r/min
Limiting speed	20000 r/min
Calculation factor e	0.35



## Jinan Guotai Bearing Co., Ltd

Calculation factor Y	1.7
Calculation factor $Y_0$	0.9
Mass bearing	0.055 kg